



MOVME[®]

MAKE EVERYTHING EASIER





00109Q12296RIM/3302
00109E20323RIM/3302
00109S10127RIM/3302



体系认证
CNAS C001-Q, E, S



OPD15Z

AC

STANDARD

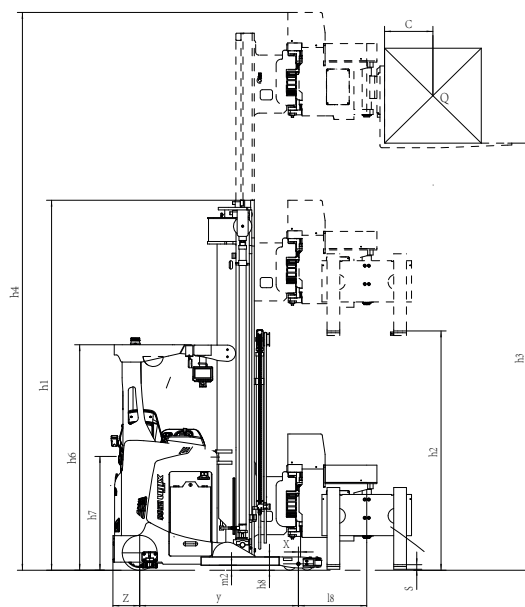
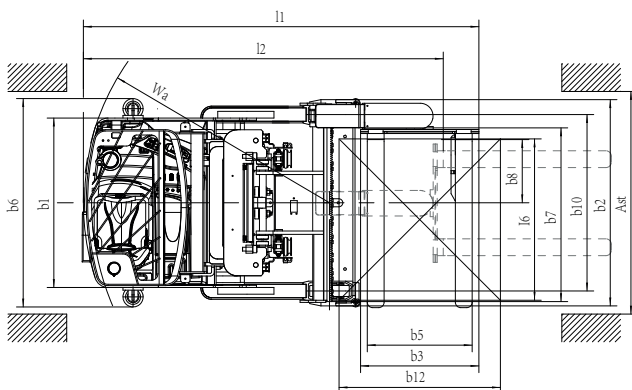
- Multi-way valve operating system
- EPS system
- Germany imports special mast
- Self-made reduction gearbox
- Finger-toggling operating switch
- Side-way battery C
- Warning lights and headlights

OPTION

- Height positioning system
- Camera and display system



Model		OPD15Z
Drive: electric (battery type, mains, ...), diesel, petrol, fuel gas		Electric
Operator type: hand, pedestrian, standing, seated, order-picker		Seated
Rated capacity/rated load	Q (kg)	1500
Load centre distance	c (mm)	600
Load distance, centre of drive axle to fork	x (mm)	21
Wheelbase	y (mm)	1595
Tyres: solid rubber, superelastic, pneumatic, polyurethane		PU
Tyre size, front		125x82
Tyre size, rear		343x140
Wheels, number front/rear (x = driven wheels)		4+1x
Tread, front	b_{10} (mm)	1312
Height, mast lowered	h_1 (mm)	2635/2800/2965/3140/3305/3470/3630
Free lift	h_2 (mm)	1310/1475/1640/1805/1970/2135/2300
Lift	h_3 (mm)	4500/5000/5500/6000/6500/7000/7500
Height, mast extended	h_4 (mm)	5770/6270/6770/7270/7770/8270/8770
Height of overhead guard (cabin)	h_6 (mm)	2212
Seat height relating to SIP/stand height	h_7 (mm)	1100
Height of wheel arms	h_8 (mm)	130
Overall length	l_1 (mm)	2950
Length to face of forks	l_2 (mm)	2670
Overall width	b_1/b_2 (mm)	1260/1534
Fork dimensions DIN ISO 2331	s/e/l (mm)	45/125/1200
Fork carriage ISO 2328, class/type A, B		2/A
Fork-carriage width	b_3 (mm)	880
Width across guide rolls	b_6 (mm)	1550
Reach, lateral	b_7 (mm)	1290
Reach, lateral from vehicle centreline	b_8 (mm)	470
Ground clearance, centre of wheelbase	m_2 (mm)	50
Aisle width for pallets 1000 × 1200 crossways	A_{st} (mm)	1600
Turning radius	W_a (mm)	1880
Distance to swivelling-fork pivot	l_8 (mm)	671
Travel speed, laden/unladen	km/h	8/8.5
Lift speed, laden/unladen	m/s	205/293
Lowering speed, laden/unladen	m/s	339/337
Reaching speed, laden/unladen	m/s	150/150
Service brake		Electromagnetic
Drive motor rating S2 60 min	kW	6.5
Lift motor rating at S3 15%	kW	8.2
Battery voltage/nominal capacity K5	(V)/(Ah) or kWh	48/450
Battery weight	kg	710
Sound pressure level at the driver' s seat	dB (A)	70





TEL: 0086-532-66739792

FAX: 0086-532-66739791

info@movmes.com

NO.88 Chunyang Road,Chengyang,

QINGDAO,CHINA

www.movmes.com